

QUIKPOINT DRILL-MATE MORTAR GUN Operator's Manual

Model # 3000 & 3600



Drill-Mate Model #3000



Before use, be sure everyone using this tool reads and understands this manual.

Date purchased _____

Made in USA
Patented

SAFETY

WARNING

When using electric tools always follow basic safety precautions to reduce the risk of fire, electric shock and personal injury.

Read and save all instructions for future use.

- 1. KNOW YOUR POWER TOOL.** Read this manual carefully and the drill manual associated with the drill used with this Quikpoint Drill-Mate Mortar Gun.
- 2. Do NOT PUT HANDS** in hopper while tool is plugged in.
- 3. Do not tighten or install parts** while tool is plugged in.
- 4. DO NOT USE WATER HOSE TO CLEAN TOOL.** (see cleaning instructions)
- 5. In THE EVENT** that tool plugs or jams, do not continue to operate tool.
See trouble shooting.
- 6. Before Operating tool** , be sure nozzle Key Allen Wrench is inserted and locking nozzle holder in place.
- 7. Do not use this tool to dispense materials other than water based cementacious mortars.**
- 8. Do not Overreach.** Keep proper footing and balance at all times.
- 9. Do not abuse power cord.** Never carry tool by the drill cord.
- 10. Keep hands away from all moving parts.** (install cam guard before using)
- 11. Store Idle tool.** when not in use, store your tool in a dry secure place. Keep out of the reach of children.

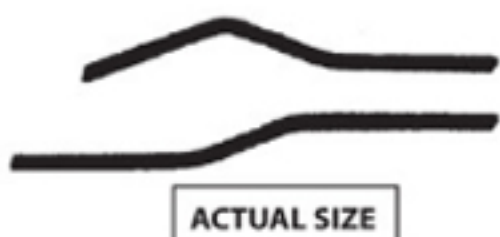
ACCESSORIES

- 1- angled steel tip no. 552-A
- 1 - wide steel tip no. 552
- 1 - narrow steel tip no. 551
- 1 - large steel tip no. 553
- 2 - "U" blades
- 3 - tip blade sets
- 2 - ¼ - 28 X ½ stainless steel set screws
- 1 - extra nozzle key Allen wrench
- 1 - 16 oz scoop no. 554
- 1 - 8 oz Gibco's-MRF

TIP BLADES CAN BE MADE FROM 1/8 INCH ELECTRICIAN'S SNAKE.

BEND WITH PLIERS AND VICE TO CONTOUR BELOW OR SEND FOR REPLACEMENT TIPS.

A set consists of one long, one short blade, and one "U" blade.



Insert this end in blade coupling, see parts picture.

CAUTION

Protect eyes when cutting hardened wire.

NOZZLE ASSEMBLY

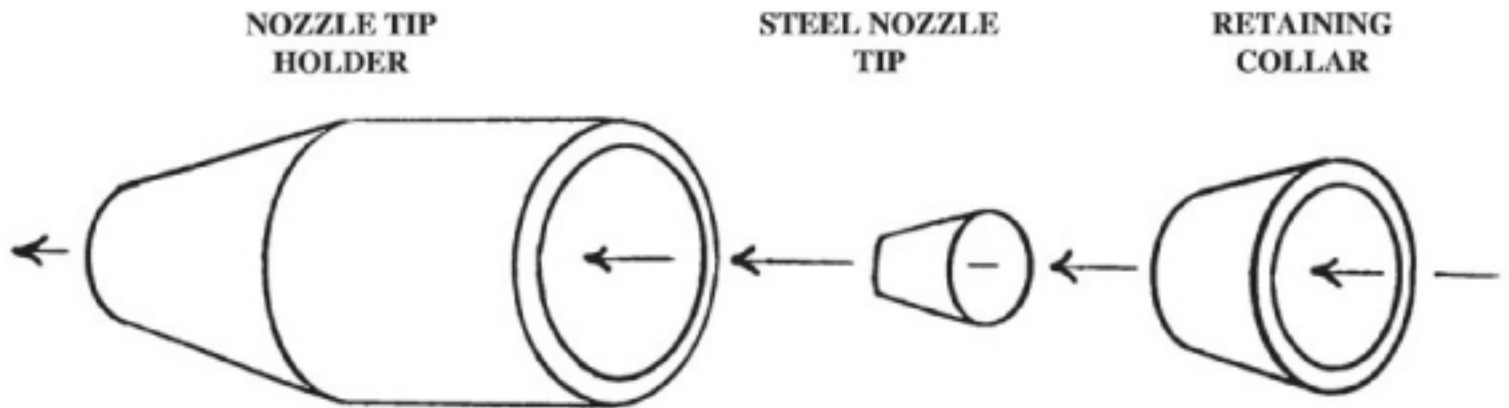


Fig. F

1. Drop metal nozzle tip into nozzle tip holder. Then insert retaining collar as shown.
2. Slip the assembly over the front barrel of the gun. Pull the nozzle assembly firmly against the front face of the gun barrel until the metal nozzle tip is seated tightly in the nozzle holder.
3. Insert the allen wrench key into the holes at the back of the nozzle assembly. The allen key, when properly placed, will fit in the slot at the back of the second o-ring.

NOTE: The nozzle assembly can now be rotated for vertical or horizontal applications.

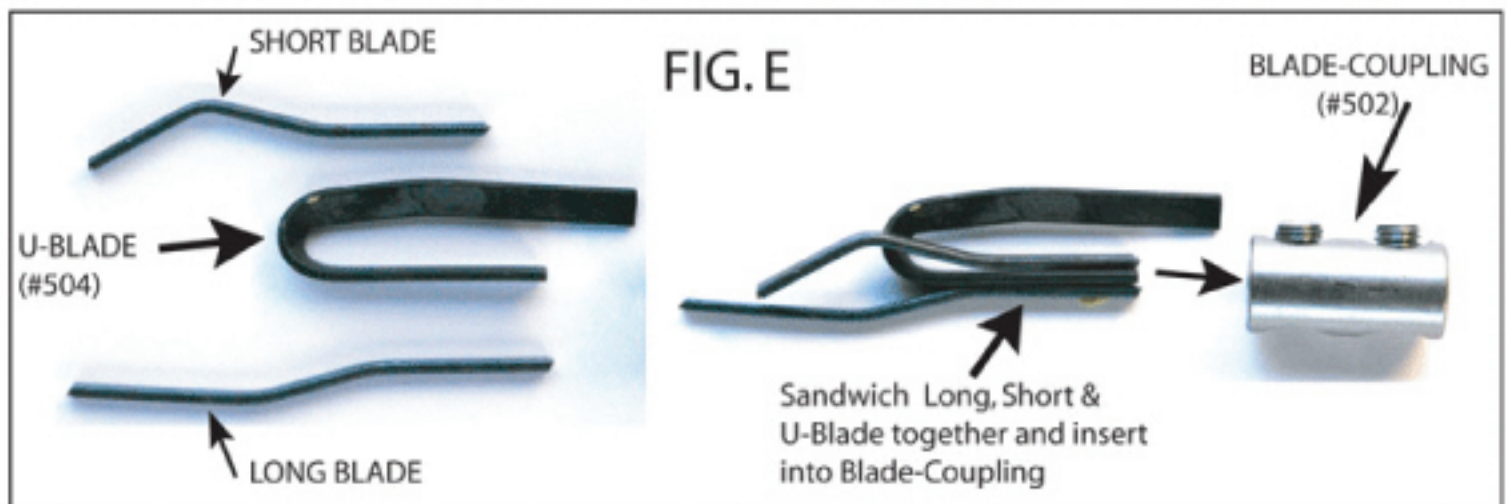
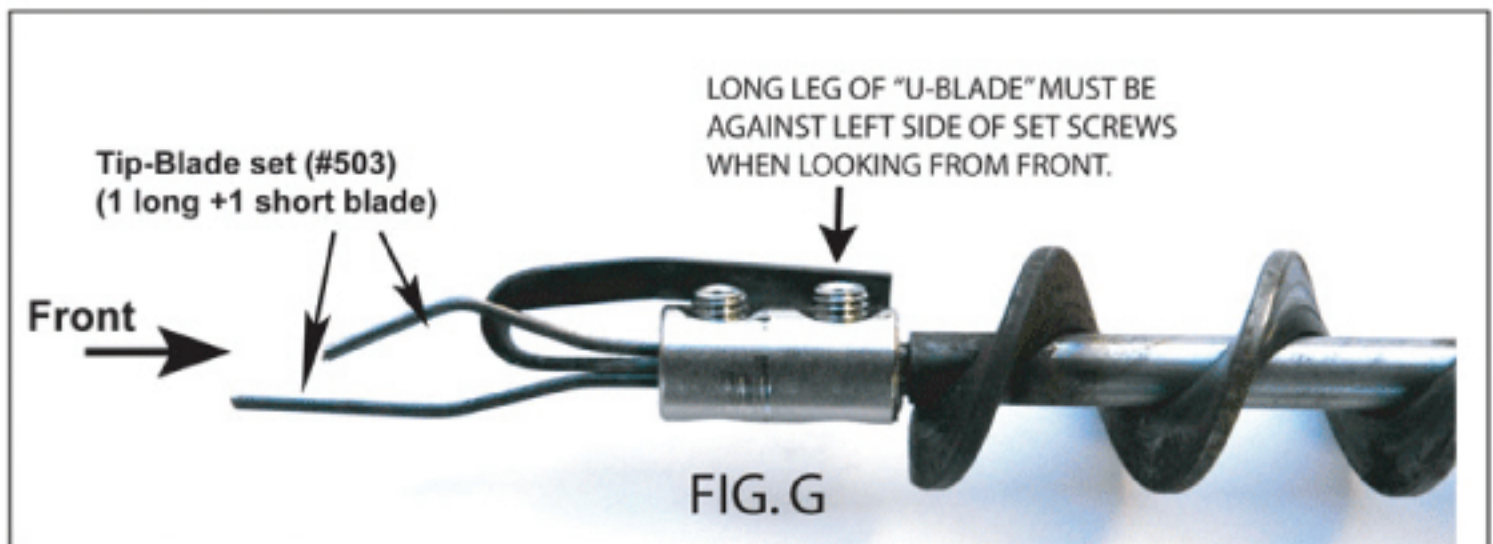
NOTE: When assembling make sure all mating surfaces are clean to insure proper seating.

NOTE: Put Lubricant such as Vaseline on O-Ring Area and area where Allen Key runs.



AUGER ASSEMBLY

1. Install the Blade-Coupling (#502) on to the Auger by tightening the Socket set screw on the flat of the auger shaft.
2. The short leg of the U-BLADE (#504) is inserted between the Tip-Blade-Set (#503) with the short-blade above (so that the set screw tightens on this blade first) and the long blade below.
3. The Long-leg of the U-Blade must be positioned against the left side of the set-screws when looking from the front of the blade assembly



4.

Assembly

of Auger Barrel , Hopper Body , Auger,Cam-Roller and Cam Coupling

Slide Auger Barrel (#901) into Hopper Body. (#908)

1.



Firmly seat Barrel (#901) so that the back of the Barrel Protrudes out of the Hopper Body (#908) as shown.

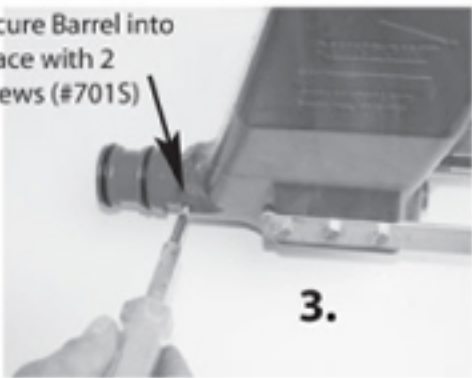
2.



Roller-Stop

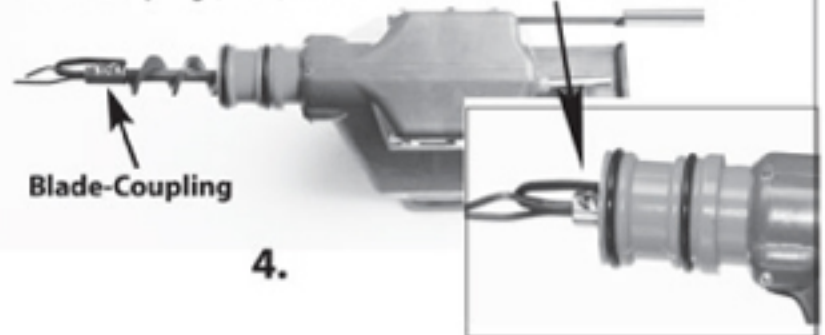
Secure Barrel into place with 2 screws (#7015)

3.



Slide Auger-assembly into barrel until forward set screw in Blade-Coupling (#502) is about 1/8th inch from end of Barrel

4.



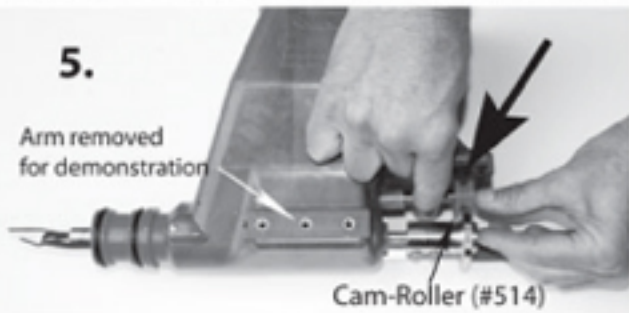
Blade-Coupling

Position the Cam-Roller with the Cam-Coupling (#703) as shown. Push the Vibrator rod (#707) down so that the Cam-Roller will slip on to the Vibrator-Rod as the Cam-Coupling is pushed on to the Auger shaft.

5.

Arm removed for demonstration

Cam-Roller (#514)



Align Set Screws and then tighten when the Cam-Coupling is in proper position (#703-S & 502-S)

6.



Push Cam-Coupling on to the Auger shaft so that the Cam-Roller just touches the Roller stop.

Put steel nozzle(# 551,552,553,552-A)followed by Retainer collar (#751) into Nozzle-Holder (#750) then push assembly on to Barrel .

7.



8.

Push Nozzle holder on until the Allen Key (#506) easily slides into locking hole.

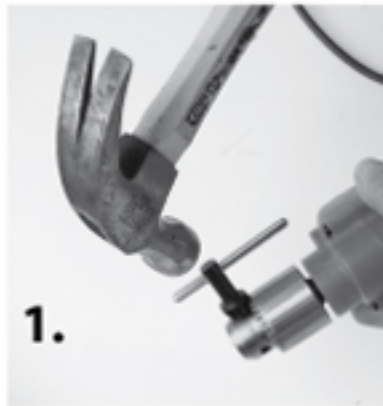
5.



Mounting a Drill

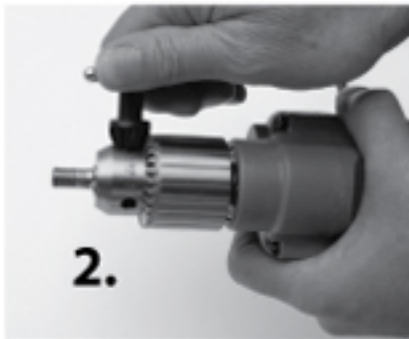
We recommend removing the chuck from the drill and threading the Cam-Coupling on to the drill mandrell. This makes the whole assembly shorter with much better balance.

If this is the method you choose, please see picture #1.

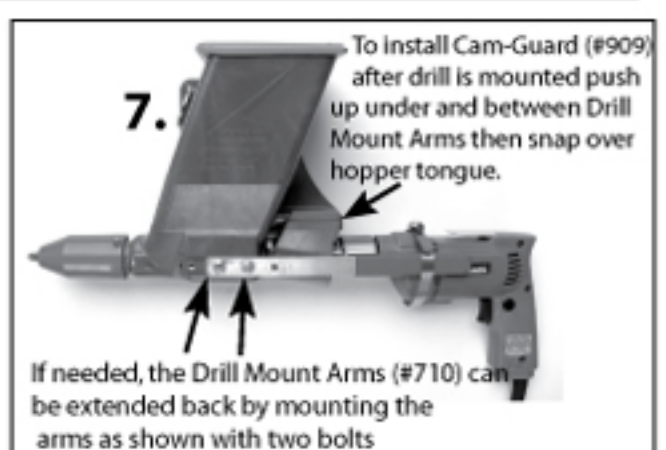
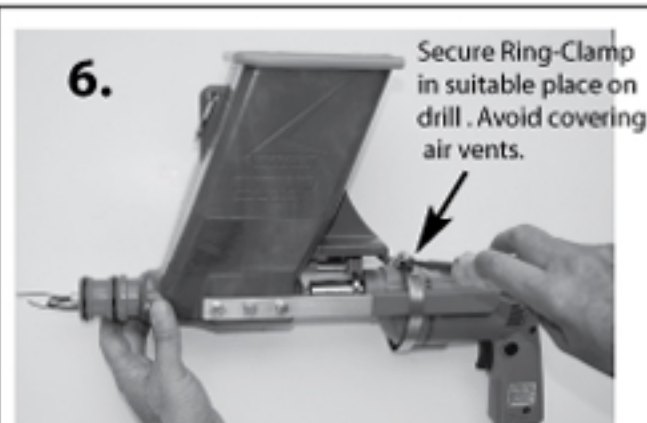
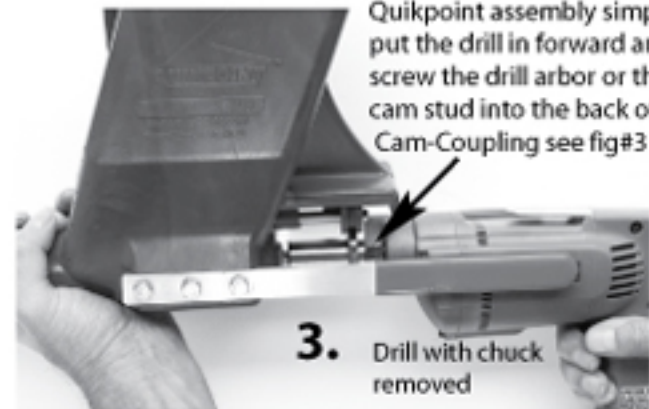


Some drills have a left threaded Reversing-Screw holding the chuck onto the drill. Open the Chuck all the way. Then look inside the chuck to see what style of screw head is used (Allen head, Phillips, Straight, etc....) This screw is removed by turning the screw clockwise while holding the chuck from turning with the chuck key in place as in picture #1. Once the Reversing-Screw is removed hit the back end of the Chuck-Key with a hammer as shown and the Chuck will unscrew.

If you do not remove the Chuck from your drill simply chuck the 3/8th inch CAM-Stud (#704) into the chuck as shown.



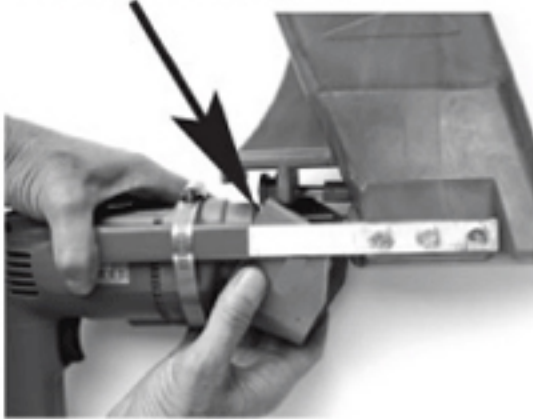
To connect the drill to the Quikpoint assembly simply put the drill in forward and screw the drill arbor or the cam stud into the back of the Cam-Coupling see fig#3



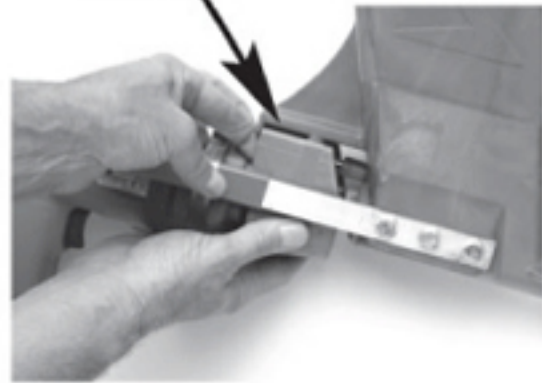
6.

Cam-Guard Installing

Kitty-Corner Cam-Guard (#709) into position between aluminum drill supports.



Snap right and left sides of the Cam-Guard on to plastic tongue as shown



Quikpoint Drill-Mate fully assembled with Drill and Chuck and Cam-Guard.

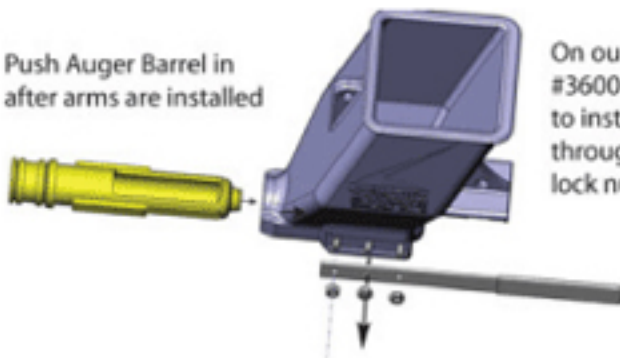


Notice Aluminum bars are extended back by mounting with two bolts as shown

Quikpoint Drill-Mate fully assembled with cam-Guard and Drill without Chuck.



Push Auger Barrel in after arms are installed



On our new Quikpoint Model #3600 (with drill) and #3000 (drill-mate) to install the Drill-Arms push 1/4 X 3/4 inch bolts through holes from the inside then tighten lock nuts as shown.

OPERATION

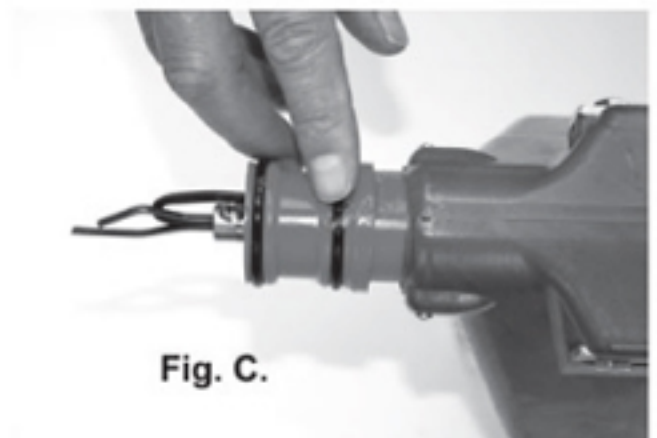
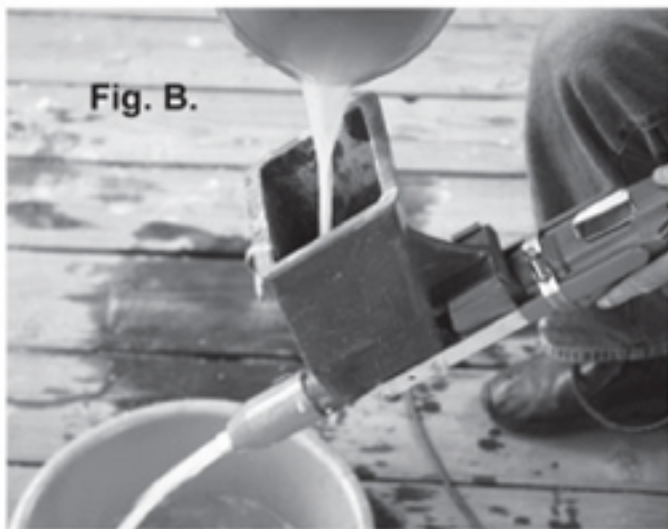
1. Be sure forward/reverse switch, on the drill, is in forward position.
The Quikpoint will only deliver mortar when the drill is in forward rotation.
2. Load hopper with mixed mortar.
3. Hold the Quikpoint as in figure A. The oval nozzle can be rotated for Vertical and Horizontal Joints.
4. For horizontal joints the Quikpoint should be either perpendicular to the wall or slightly angled away from the direction of travel.
Fill vertical joints from bottom to top.
5. The Quikpoint will deliver mortar straight down, horizontally and up to a 55 degrees angle above the horizontal. Use angled Nozzle #552-A For overhead applications.

Fig. A



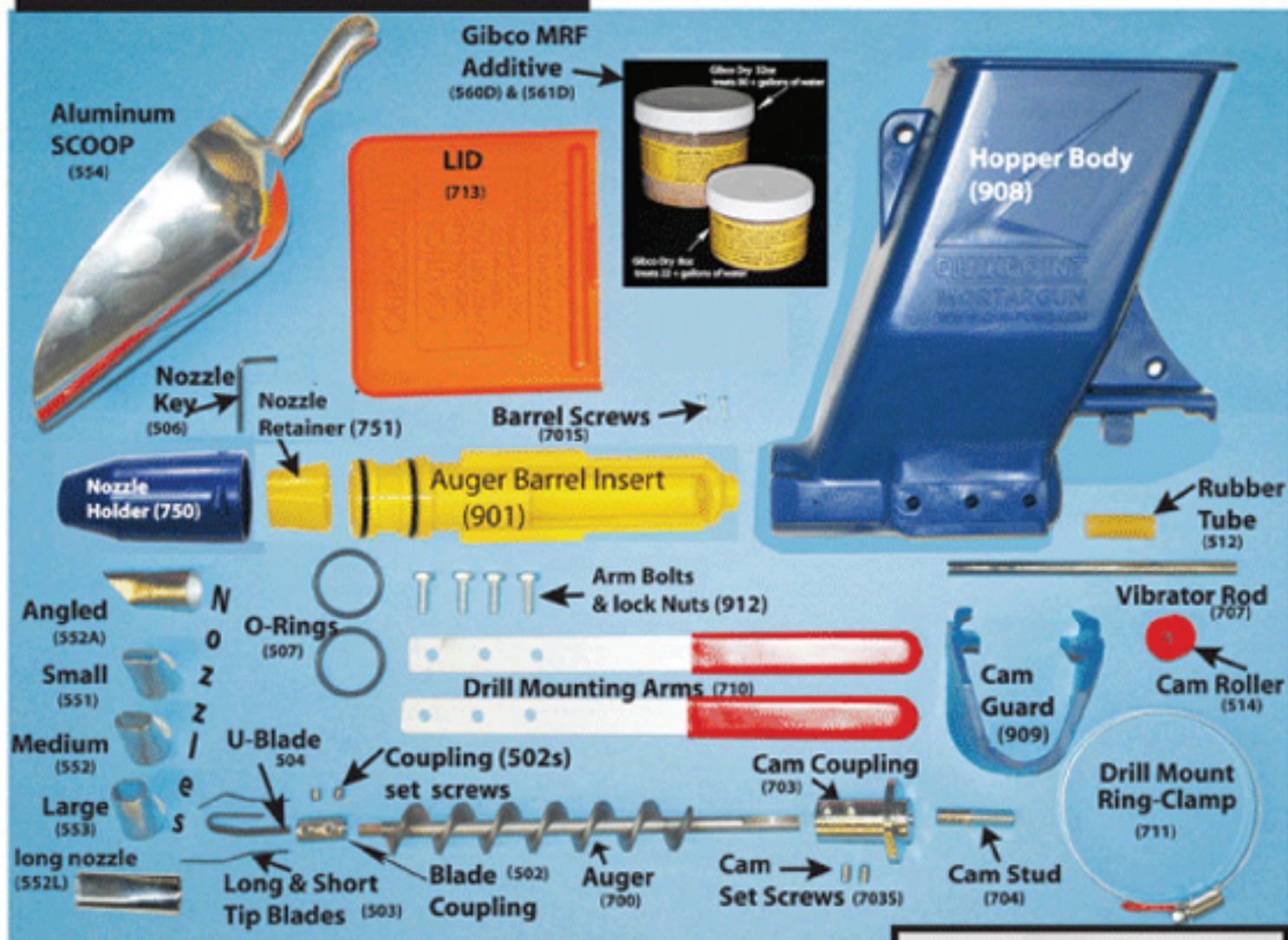
Cleaning and Maintenance

1. Do not leave mortar in gun for more than 1 hour.
2. To clean gun flush with water while gun is running. Do not use water hose to clean tool. Use only a small container to direct water into the hopper without spilling. Caution : Keep water off of drill. Do not immerse tool in water if drill is attached. (See Figure B.)
3. Unplug drill. Remove nozzle and clean mortar from inside nozzle holder and O-Ring area of barrel.
4. Dried mortar in Allen set screw sockets can be cleaned easily with a 1/8" drill bit.
5. Occasionally apply a small amount of Vaseline or Petroleum Jelly to the O-ring and nozzle Key groove at front of barrel. (Fig. C)
6. Where the Auger fits into the Blade-Coupling (#502) and the Cam-Coupling(#703) put Petroleum Jelly into the holes to keep parts from corroding.
7. Store tool in dry area.



PARTS LIST

As of July 2012 the "Hopper Body", "Cam Guard" and "Auger Barrel" parts have been redesigned. These parts will not fit older models. Parts are available for older models.



PART #	PART NAME	PRICE
502	Blade Coupling	\$6.00
502-S	Set -Screws (2)	1.50
503	Tip Blade Set (1 long & 1 short)	2.50
504	U-Blade	2.50
506	Nozzle Key (1/8" allen wrench)	2.00
507	O-Ring (2)	2.00
512	Rubber Tube	1.00
514	Cam Roller	5.00
551	Small Steel Nozzle (3/16"X3/4")	5.50
552	Medium steel Nozzle (1/4"X3/4")	5.50
552L	Long medium Nozzle (1/4" X 3/4" X 1.5")	8.50
552-A	Angled Steel Nozzle	7.00
553	Large Steel Nozzle (1/2"X5/8")	5.50
554	Aluminum Scoop 16 oz	10.00
560D	8oz Gibco DRY MRF Additive	8.50
561D	32oz Gibco DRY MRF Additive	28.00
700	Auger	26.00
901	Auger Barrel insert	17.25
701-S	Barrel screws (2)	0.50
703	Cam Coupling 3/8 fine Female	25.00

Black & Decker
5.2 amp 3/8" Drill
VSR (0-1500rpm)
Model# DR250B
Part# 781



703-L	Cam Coupling 1/2 fine Female	22.00
703-S	Cam Screws (2) 1/4-20 X 3/8"	2.00
704	Cam Stud	4.00
707	Vibrator Rod	3.00
908	Hopper Body	75.00
909	Cam Guard	8.00
710	Drill Mount Arms (2)	7.00
711	Drill Mount Ring-Clamp	3.25
912	Arm Bolts & lock nuts (6)	2.50
713	Lid	2.50
750	Nozzle Holder	14.50
751	Nozzle Retainer	7.00
781	Black & Decker 3/8" Drill	42.00

MORTAR MIXES

The Quikpoint Mortar Gun works well with all standard U.B.C. (universal building code) mortar mixes up to 2 1/2 fine sand by volume to one part by volume of the cements plus lime used.

Example of a 2 1/2 to 1 mix:

$$\begin{array}{r} 1 - \text{cement} \\ + 1 - \text{lime} \\ \hline = 2 \text{ parts by volume} \\ \times 2.5 \\ \hline = 5 \text{ parts sand by volume} \end{array}$$

Example of a 2 to 1 mix:

$$\begin{array}{r} 1 - \text{cement} \\ + 1 - \text{lime} \\ \hline = 2 \text{ parts by volume} \\ \times 2 \\ \hline = 4 \text{ parts sand by volume.} \end{array}$$

The strength or P.S.I. of a mix is varied by the type of cement used and the volumes of cement, lime, and fine sand used.

For best results the aggregate fine (sand) should not have particles larger than 1/8 inch.

1. A richer mix will work more easily through the gun.

(We recommend mixing a small experimental batch of mortar to see how your mix works in the gun).

2. If your mortar mix is plugging or the Quikpoint is laboring to put your mix out, then use Gibco's-MRF additive or a good plastersizer

Gibco's-MRF will also reduce wear in the Quikpoint mortar gun. See the *Gibco's-MRF flyer* included in this manual for other advantages.

- A. Shake before using Gibco's-MRF pump aid additive
- B. Add to mixing water 1/2 oz. of Gibco's-MRF to 1 gallon of water. Do not exceed 3 oz. of MRF to 5 gallons of water.
- C. MRF is a lime substitute. If there is lime in the mix, reduce the amount of MRF to 1/2 oz. per 2 gallons of water.
- D. Do not use high speed drill mixers. MRF will slightly air entrain and may alter (lighten) color in the mortar.

Gibco's-MRF is available through Quikpoint, Inc. (see parts list)

GIBCO'S-MRF

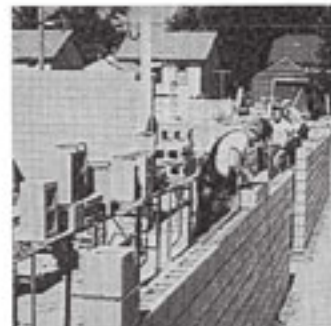
BUILDING THROUGH TECHNOLOGY



EASY TO USE



ICBO Report No. 3213



SUPERB WORKABILITY



COMPLETED PROJECT



COMPLETED PROJECT

OTHER ADVANTAGES

- Greater Resistance to Freeze & Thaw
- Reduced Shrinkage of Mortar
- Less Storage & Handling
- Reduced Clean-up Cost
- Less Call Backs
- Replaces Lime & Other Additives
- Reduced Water Penetration
- Reduces Efflorescence
- Lower Batch Cost
- Avoids Waste

23B Bradford Street
Concord, MA 01742
Fax: (978) 371-2292
Phone: (978) 371-3267


QUIKPOINT[™]
INC.

TOLL FREE
1-800-368-2292
U.S. and Canada

TROUBLE SHOOTING

1. Tool is not delivering mortar out of Nozzle

- A. Make sure drill is in forward rotation. Tool will not deliver mortar in reverse.
- B. Make sure set screws on Cam-Coupling and Blade-Coupling are tight.
- C. Make sure the Cam-Roller is in place and that the Vibrator is working in the Hopper. The Vibrator will not work if the Roller is not on the Vibrator Rod.
- D. Inspect auger for wear. Take the Nozzle-Holder off and look down the inside of the Barrel. If there is a gap of 1/8th inch or more around the Auger then the Auger needs to be replaced. If the Auger is not worn and there is a similar gap then the Auger-Barrel needs to be replaced.
- E. If none of the above applies then remove the Auger and inspect the weld between the auger flight and the center shaft. These welds can break if the Auger is jammed.

2. The tool plugs

- A. Check to see that the Nozzle-Holder, Steel nozzle and plastic Retainer are assembled in the correct order. The steel nozzle is inserted first followed by the Retainer. See Figure ? Page?
- B. If tool plugs remove the Nozzle-Holder. Holding Nozzle-Holder with the Steel Nozzle up hit back of Nozzle-Holder on hard surface to remove stiff mortar. Keeping hands away from Tip-Blades run drill in forward to dislodge any obstructions in the Auger-Barrel. Clean the end of the Auger-Barrel and Nozzle-Holder assembly with water. Reinstall Nozzle-Holder and run.
- C. If problem continues, check the Tip Blades(#503) and U-Blade(#504) for wear. The Long-Blade should be flush or no more than 1/8th inch back from the front of the Steel-Nozzle. If wear is noted replace worn parts.
Note: The U-Blade(#504) usually does not have to be replaced until 3 or 4 sets of Tip-Blades(#503) have been replaced. See Figure (G & E) Page (4)
- D. If Problems persist see mortar mix information page (11.)

- 3. If Nozzle-Holder does not rotate for Vertical and Horizontal action, remove Nozzle-Holder assembly and refer to step 2B above. Also apply some Petroleum Jelly to the O-Ring and Allen Key stop area of the Auger-Barrel. See Figure (C.) Page (9)

LIMITED WARRANTY

This product is warranted by Quikpoint Inc. to the original purchaser to be free from defects in material and workmanship under normal use for a period of one year from the date of purchase.

Every Quikpoint tool is thoroughly inspected and tested before leaving our manufacturing facilities. Should any trouble develop, return the complete tool prepaid to our corporate office. If inspection shows the trouble is caused by defective workmanship or material, all repairs will be made without charge and the tool will be returned, transportation prepaid.

This warranty does not apply where 1.) repairs are required because of normal wear, 2.) the tool has been abused or involved in an accident; 3.) misuse is evident, such as caused by overloading the tool beyond its capacity; 4.) the tool has been used with an improper accessory.

No other warranty written or verbal is authorized.

This warranty gives you specific legal rights and you may also have other rights which vary from state to state.



23 B Bradford St.
West Concord, MA 01742

Tel. 1-800-368-2292

Fax. 978-371-2292